

The MVS Series from TracStar allows personnel with little or no satellite experience to operate mobile Very Small Aperture Terminal (VSAT) satellite communications equipment, enabling the user to access any broadband application over satellite.

The MVS Series of antennas are typically owned and operated by:

- Corporations with remote or mobile office and monitoring applications
- Federal, State and Public Safety agencies for law enforcement, emergency response and homeland security communications
- Military rapid deployment, SATCOM on the pause applications

With TracStar's MVS Series antennas, users enjoy the same reliable, secure, high-speed IP based data communications they are accustomed to in the office, while mobile. Users can get connected Anywhere/Anytime for applications such as:

- Secure, high-speed digital communications
- High-speed internet access
- Voice and FAX communications
- Teleconferencing
- Wide area private network extension
- Video broadcasting

TracStar antennas feature:

- Single button push for automatic satellite acquisition
- Rapid deployment and operation on every Ku-band satellite, worldwide
- Works with every satellite modem
- Eliminates the need for -
Leveling the antenna up to 10 degrees
Special test equipment for alignment
Computers or peripheral equipment to operate the antenna
Phone calls to network operators or service providers



TracStar1200

Reflector

Reflector
Mount Geometry
Polarization
Reflector Material

1.2 Meter Prime Focus Offset
Elevation over Azimuth
Rotation of Feed
Glass Reinforced Plastics



Travel

Azimuth
Elevation
Polarization

400° or ±200° from Stow Position
0-65° of reflector boresight
±95°

Travel Velocity

Slowing/Deploying
Peaking
Manual Jog
Manual Drive

2°/second
5°/second
1.0° or -0.2° / second
Handcrank on Az and El Axii

Electrical Interface

RF
Waveguide
Interfacility Link
Motors
Controller & Power Supply
Power Consumption—Motors Active
Power Consumption—Motors Idle

75Ω Tx / Rx Type F Connector (50Ω option)
Grove Flexible Waveguide from Feed
32ft (9.75M) Control Cable and Twin RG6 Coax
24V DC Variable Speed, Constant Torque
50/60 Hz, 110/220VAC, Single Phase
250 Watts
30 Watts

Antenna Characteristics

	Receive	Transmit
Frequency (GHz)	10.95-12.75	13.75-14.5
Gain (Midband)	42.0 dBi	43.2 dBi
VSWR	1.30:1	1.30:1
Beamwidth (degrees)		
-3 dB	1.4	1.2
-10 dB	2.5	2.1
First Sidelobe Level (Typical)	-19 dB	-22 dB
Antenna Noise Temperature	30° K at 30° Elevation	
Polarization	Linear Orthogonal Standard, Optional Co-pol	
Radiation Pattern Compliance	FCC §25.209, ITU-R S-580-6	
Power Handling Capability	40 Watts	
Feed Port Isolation – TX to RX	75 dB	

Specifications Subject to Change Without Notice.

Controller

One-button operation automatic satellite acquisition with integrated GPS/Compass/Level Sensors and user configurable satellite selection.

Mechanical

Az/El Drive System
Polarization Drive System

Patented Roto-Lok® Cable Drive System
Stainless Steel Chain Drive

Weights & Measures

Antenna with Reflector	115 to 125 lbs (Options Dependent)	(52.16 to 56.69 kg)
Maximum Length with IFL Cables Connected	74"	(187.95 cm)
Height		
Stowed	18.25"	(46.35 cm)
Deployed	72-5/8"	(184.4 cm)
Portable Power Supply/Display Unit		
Weight - Power Supply (CE Approved)	4.5 lbs	(2.04 kg)
Display Unit	0.5 lbs.	(0.22kg)
Power Supply	9"Wx 10.25"Dx2.5"H	(22.86 x 26 x 6.35 cm)
Display Unit	5 1/2"W x 3 1/4"D x 1-3/8"H	(13.96 x 8.25 x 3.45 cm)



Rack Mount (1RU)

Weight 4.5 lbs. (2.04 kg)
Dimensions 19.0"W x 8.0"D x 1.75"H (48.26 x 20.32 x 4.44 cm)

Environmental

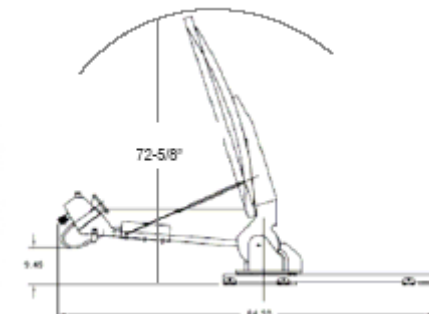
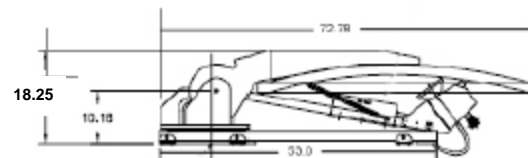
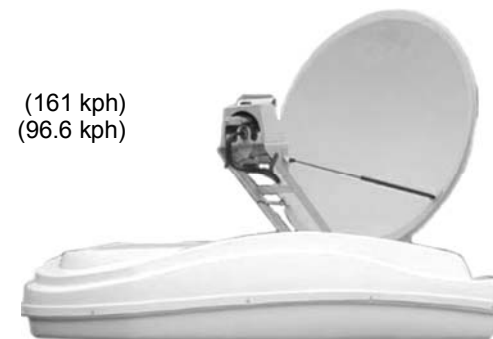
Wind
Survival
 Stowed 100 mph (161 kph)
 Operational 60 mph (96.6 kph)
Temperature
 Operational -20°F to 125°F
 Storage -30° to 140°F

Options

Roof Pod

Related Products

MVS1200P2, MVS1200P4



TracStar Systems — Cobham SatCom

1551 College Park Business Center Rd • Orlando, FL 32804 • +407.650.9054 • FAX +407.650.9086 • <http://www.tracstar.net> • sales@tracstar.net
1200-6-07 © TracStar Systems, Inc. 2007 All Rights Reserved